

# MULTISTRADA 1260 ENDURO







# Index

The travelenduro, Ducati-style	2
The ideal look on any terrain	5
Ducati Testastretta DVT	9
Beyond borders	11
Comfort and safety even in extreme conditions	12
Technology at the service of enjoyment	15
DRE Enduro Academy	19
Servicing and maintenance	24
Technical data and equipment	26
Accessories	36



# The travel enduro, Ducati-style

Break boundaries as you travel with the Multistrada 1260 Enduro. Technology, comfort and performance are the ideal ingredients for enjoyable riding on any surface, transforming your every trip into a unique experience. The 158 hp supplied by the 1262 cc Ducati Testastretta DVT engine guarantee maximum performance and inject excitement into every turn, while updated ergonomics ensure easier low-speed riding and manoeuvring as well as greater comfort on long-range trips thanks to the 30-litre fuel tank. And when the asphalt comes to an end, the adventure really kicks into gear. The 19" front wheel, optimised frame, seat and handlebar ergonomics, and now also the lower centre of gravity all facilitate riding even on the toughest of surfaces. The Multistrada 1260 Enduro is the Ducati travel enduro ready to accompany you wherever your heart desires.







## The ideal look on any terrain



The Multistrada 1260 Enduro takes the classic Multistrada lines and gives them an all-terrain twist, blending comfort, safety and style to create shapes that are dynamic in design but also elegant and well-finished. The front end effectively protects the rider from bad weather and integrates

the horizontally-positioned headlight, the iconic beak-like mudguard and the anodised aluminium side covers. The line is streamlined, narrowing towards the rear, the very slender tail section housing the three-dimensional light. Completing the off-road soul of the Multistrada 1260 Enduro

are the spoked wheels, which allow for smooth riding whether cornering on asphalt or dirt, and the colours, traditional Ducati red, or the Sand, with a coarse finish that recalls the sand of desert tracks.





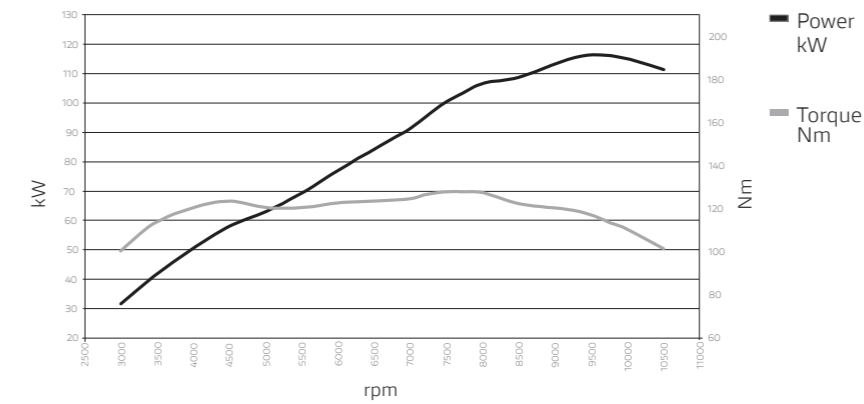




# Ducati Testastretta DVT

The difference is in the detail. With the 1262 cc Ducati Testastretta DVT, the detail is known as Desmodromic Variable Timing (DVT), the system that continuously varies valve overlap so as to offer maximum power at high revs and ensure full, regular delivery at medium and low revs. The DVT system allows for maximum power of 158 HP (116 kW) to be combined with an extremely flat and rich torque curve, particularly at intermediate revs, so at around 4000 - 5000 rpm, the range most commonly used during riding. Delivery is very fluid in all conditions, ensuring versatility and riding pleasure. The Testastretta DVT engine also satisfies requirements imposed by the Euro 4 standard and is suitable for both road and off-road usage. Setting no limits, it is intuitive to manage and always ready to respond to your desire to explore the world. Even when the roads come to an end.

Power / torque curves







## Beyond borders

The ergonomics of the Multistrada 1260 Enduro are designed to strike the best possible balance in terms of comfort during long-range trips and while off-road riding, ease of handling at low speeds, and manoeuvring with a passenger and luggage on board. The Multistrada 1260 Enduro's chassis design provides for suspension travel of 185 mm for both wheels, so that the seat height is at 860 mm from the ground, making this bike easy to ride and accessible for any rider. Its low centre of gravity guarantees the rider greater confidence when manoeuvring at low speeds, especially with fully loaded panniers and a passenger on board. What's more, its wheel travel does not limit the bike's off-road performance. The Ducati Skyhook Suspension Evo system, with its electronic control of both the fork hydraulics and the suspension, makes it possible to take on any sort of journey with great confidence and control. The ergonomic triangle (the positions of the seat, footpegs and handlebar in relation to one another) provides a handlebar positioned in the correct way to improve riding comfort and ensure a relaxed and natural position during long-range journeys on the road.



## Comfort and safety even in extreme conditions

Suspension on the Multistrada 1260 Enduro is semi-active and controlled by the Ducati Skyhook Suspension Evolution (DSS) system. Thanks to complete adjustment via the and intuitive HMI interface, 400 different configurations are available. No other bike in the segment allows for such precise intervention. The DSS Evo system acts in a continuous manner, to ensure perfect balance of the vehicle in all road conditions and offer the rider and passenger maximum comfort. The DSS Evo system allows for practical, intuitive and rapid setting variation using the new HMI interface, in order to ensure the ideal suspension in any given condition. Simply select the riding mode (Touring, Sport, Urban or Enduro) and the load condition: single rider, rider with cases, rider with passenger and rider with passenger and cases. In addition, the fork and shock can be adjusted separately, with no need for complicated settings, for precise front and rear suspension regulation. The system's configuration possibilities are practically limitless, with 400 possible parameter combinations that can be electronically selected by the rider via the interface.







## Technology at the service of enjoyment

The Multistrada 1260 Enduro is equipped with the most advanced Ducati technology, controlled by the new HMI interface, cutting-edge but extremely intuitive to use. Employment of the new 6-axis IMU inertial platform results in the enhanced operation of all electronics systems. Cornering ABS controls braking and maximises active safety even when the bike is at an angle, while Ducati Traction Control (DTC) modulates any sliding of the rear wheel. In addition, there is Ducati Wheelie Control (DWC) and Ducati Skyhook Suspension Evo (DSS) semi-active suspension. Electronic equipment also includes the Touring, Enduro, Sport and Urban Riding Modes, which adjust all bike parameters to the selected riding style. Vehicle Hold Control (VHC) facilitates uphill starts with a full load, holding the bike brake when the vehicle is stationary and gradually reducing rear brake pressure when the clutch and throttle are activated.





The Multistrada 1260 Enduro's interface is attractive and intuitive, thanks to the high-resolution full-colour TFT instrumentation display and the graphics, whose every detail has been carefully designed. T

he instrument panel is equipped with a 5" display that is well lit and clearly visible in all conditions. The configuration of the display can be personalised and adapts depending on the selected Riding Mode. Travel comfort is guaranteed thanks to Cruise Control, a Hands-Free system and backlit

handlebar controls that further enhance the riding experience. For better lateral visibility during night-time riding or in poor light, the full LED front light set can count on the Ducati Cornering Lights (DCL) system that, based on the bike's lean angle, automatically illuminates the inside of the turn for even more enjoyable and safe riding, as befits a true globetrotter.

The Ducati Multimedia System (DMS) means a rider can connect a smartphone to the bike via Bluetooth and answer calls, listen to music and receive

notification of any incoming text messages.

The Multistrada 1260 Enduro is compatible with the new Ducati Link App, thanks to which a travel mode can be set, and the parameters of each Riding Mode easily personalised via a smartphone. In addition, the app provides information regarding maintenance intervals, the user manual and Ducati Store Locator, and allows for individual performance and travel itineraries to be saved so that riders can share their experiences on board the Ducati Multistrada 1260 Enduro.





## DRE Enduro Academy

The Multistrada 1260 Enduro is born to offer you adventure and ensure total control and comfort in all conditions. To allow you to fully appreciate the bike's potential, Ducati has created the DRE Enduro Academy: an authentic off-road riding academy dedicated to the Multistrada 1260 Enduro, launched with the Multistrada 1200 Enduro and now perfected for this model. During the course, participants will be able to fine-tune their riding techniques in controlled conditions, under the supervision of experienced and qualified riders and in exclusive and appealing locations, all of which makes for a unique and memorable experience. For more information and booking details, visit [website.dreenduro.ducati.com](http://website.dreenduro.ducati.com).









Explorer  
Googles

Explorer V2  
Full-face helmet

Explorer  
Full-face helmet

Atacama C1  
Fabric jacket

Ducati Apparel Collection designed by  
*Drudi Performance*





# Servicing and maintenance

## Safety as standard

The continuous work that Ducati carries out in terms of design, research and development serves to ensure cutting edge bikes characterised by maximum active safety levels. A commitment that involves the definition of increasingly advanced technological systems to increase the rider's level of control, such as the Ducati Safety Pack (DSP) that, for the Multistrada 1260 Enduro, includes Cornering ABS and Ducati Traction Control (DTC). Equipment that optimises the bike's dynamic performance in both braking and acceleration and that offers numerous levels of adjustment with three different intervention levels for the Cornering ABS and eight for the Ducati Traction Control (DTC).

## More value to your passion

With Ever Red, the quality and reliability of the Ducati brand remain your inseparable travelling companions over time. Ever Red is the exclusive Ducati warranty extension programme. With its activation you can continue to feel protected for 12 or 24 months beyond the expiration of the Ducati Warranty (24 months). Ever Red includes roadside assistance for the entire coverage period and sets no mileage limits. In this way you can cover all the miles you want, even abroad, enjoying your Ducati with full peace of mind.

To find out if the Ever Red extension is available in your country and for further information contact your Ducati dealer or visit [ducati.com](http://ducati.com).

## Endless excitement

In designing each bike, Ducati constantly strives to ensure maximum reliability while reducing service costs. A commitment that has seen the intervals for the main Desmo Service, in which valve clearance is checked and adjusted if necessary, to be extended to 30,000 km for the Multistrada 1260 Enduro.

Even the simplest of checks, such as the Oil Service, are extended to 15,000 km or 12 months. A considerable interval for such high-performance engines, which only confirms the high quality standards adopted in terms of material selection and R&D processes. Ducati continuously invests in the technical training of its dealers.

The specific skills offered by the official Ducati Service network ensure that all those operations needed to keep every Ducati in perfect condition are thoroughly executed, while advanced equipment such as the Ducati Diagnosis System allows the software on each Ducati to be updated with the latest releases, ensuring that the electronics continue to perform at the maximum level.

## Always by your side

One of Ducati's main goals is to offer every Ducatista the chance to enjoy unlimited and safe travel all over the world. To achieve this aim, Ducati offers a "fast delivery" original spares service, with delivery in 24/48 hours across 85% of the areas in which it operates. With a distribution network that covers more than 86 countries, thanks to 718 official Dealers and Service Points\*, choosing a Ducati means you can travel worry free and in total freedom, wherever the road may take you, and count on support from our extensive Dealer network that ensures Ducati quality and professionalism is always close at hand.

**718** Authorised dealers and service points

**86** World countries

\*Information updated as of July 2019



**Ever Red**  
Extended Warranty



\*Equal to 18,000 miles.





## Technical data and equipment







## Load capacity

The aluminium cases of the Multistrada 1260 Enduro allow the rider to fulfil that desire for adventure without leaving anything behind: the right-hand case offers 40 l capacity, while the left holds 45 l and the top case 38 l. The passenger grab handle and cases are designed to offer the right balance between useful volume and overall bike width.



## Autonomy

Thanks to the 30-litre tank capacity, you can cover more than 450 km on board the Multistrada 1260 Enduro without having to fill up: exactly what you need for uninterrupted long-distance travel. This extended autonomy is also down to the Testastretta DVT engine, particularly efficient and ensuring reduced consumption.

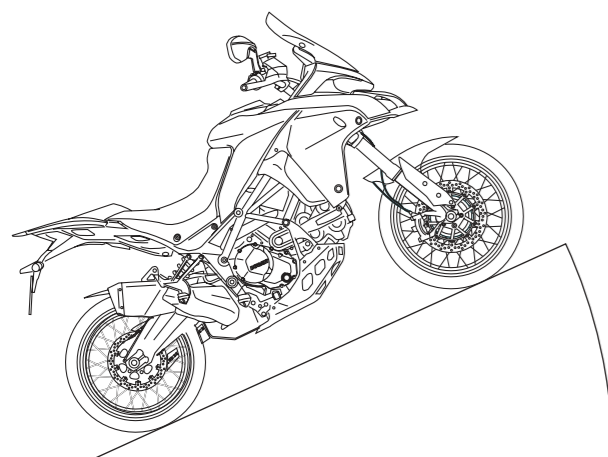
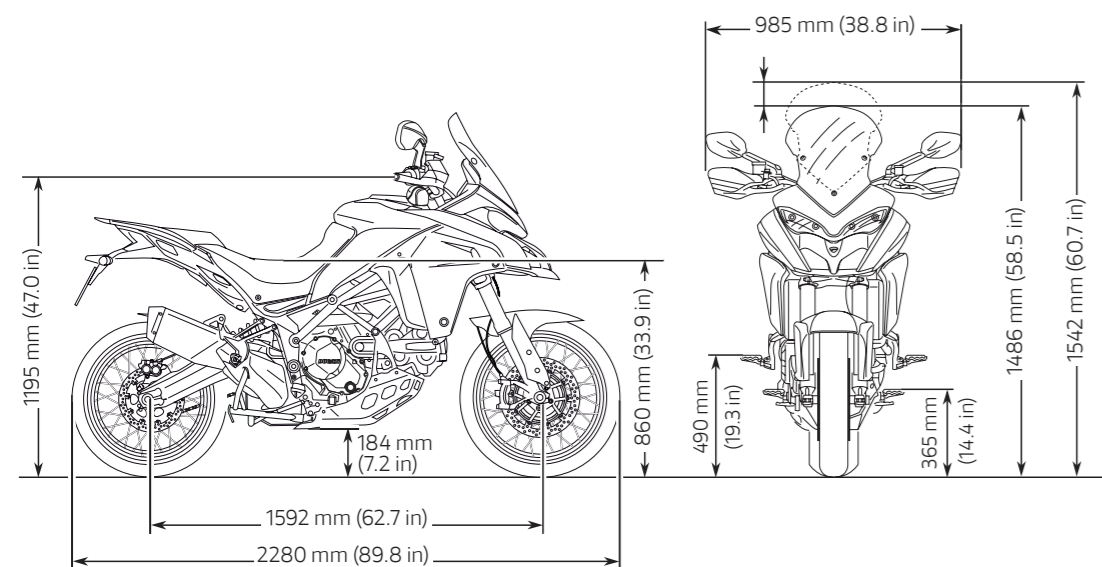


## Tyres

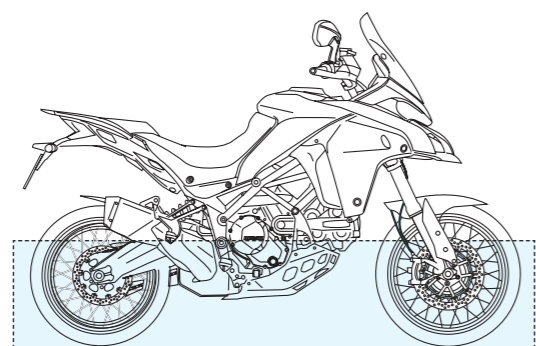
To cover the full range of usage, the Multistrada 1260 Enduro has been homologated and developed with two types of tyre. The Pirelli Scorpion Trail II, supplied as standard, are versatile and offer heightened performance in terms of mileage, perfect on asphalt and in wet conditions. As an alternative, Pirelli Scorpion Rally knobby tyres can be mounted, better suited to off-road use. In both cases, sizes are 120/70 ZR19 at the front and 170/60 ZR17 at the rear.



# MULTISTRADA 1260 ENDURO



Uphill starts with VHC on slopes as steep as 24.5°



Wading depth: 465 mm (18.3 in)

Engine	
<b>Engine</b>	Ducati Testastretta DVT with Desmodromic Variable Timing, L-Twin, 4 valves per cylinder, Dual Spark, Liquid-cooled
<b>Displacement</b>	1,262 cc
<b>Bore X Stroke</b>	106 x 71.5 mm
<b>Compression ratio</b>	13.0:1
<b>Maximum power</b>	158 hp (116 kW) @ 9,500 rpm
<b>Maximum torque</b>	94 lb-ft (128 Nm) @ 7,500 rpm
<b>Fuel injection</b>	Electronic fuel injection system, Øeq 56 mm elliptical throttle bodies with Ride-by-Wire system
<b>Exhaust</b>	Stainless steel single muffler, Catalytic converter and 2 lambda probes
Transmission	
<b>Gearbox</b>	6 speed with up/down Ducati Quick Shift (DQS)
<b>Primary drive</b>	Straight cut gears, ratio 1.84:1
<b>Ratios</b>	1=38/14, 2=30/17, 3=27/20, 4=24/22, 5=23/24, 6=22/25
<b>Final drive</b>	Chain; Front sprocket Z15, Rear sprocket Z43
<b>Clutch</b>	Light action, Wet, Multiplate clutch with hydraulic control, Self-servo action on drive, Slipper action on over-run
Chassis	

<b>Frame</b>	Tubular steel trellis frame
<b>Front suspension</b>	Ø 48 mm fully adjustable usd fork, Electronic compression and rebound damping adjustment with Evo Ducati Skyhook Suspension (DSS)
<b>Front wheel</b>	Tubeless spoked wheel in light alloy 3" x 19"
<b>Front tyre</b>	Pirelli Scorpion Trail II 120/70 ZR19 (vehicle homologated also for Pirelli Scorpion Rally, same measures)
<b>Rear suspension</b>	Fully adjustable monoshock, Electronic compression, rebound damping and spring preload adjustment with Evo Ducati Skyhook Suspension (DSS), Aluminium double-sided swingarm
<b>Rear wheel</b>	Tubeless spoked wheel in light alloy 4.5" x 17"
<b>Rear tyre</b>	Pirelli Scorpion Trail II 170/60 ZR17 (vehicle homologated also for Pirelli Scorpion Rally, same measures)
<b>Wheel Travel (Front/Rear)</b>	185 mm / 185 mm (7.3 in / 7.3 in)
<b>Front brake</b>	2 x Ø 320 mm semi-floating discs, Radially mounted Brembo monobloc M4.32-piston callipers, 2-pad, Radial Master Cylinder, Cornering ABS
Chassis	

<b>Rear brake</b>	Ø 265 mm disc, 2-piston Brembo floating calliper, Cornering ABS
<b>Instrumentation</b>	Colour TFT 5" display
Dimensions and Weights	
<b>Dry weight</b>	225 kg (496 lb)
<b>Kerb weight</b>	254 kg (560 lb)
<b>Seat height</b>	860 mm (33.8 in), 880 mm (34.6 in) with high seat accessory, 840 mm (33.1 in) with low seat accessory
<b>Wheelbase</b>	1,592 mm (62.7 in)
<b>Rake</b>	25°
<b>Trail</b>	112 mm (4.4 in)
<b>Fuel tank capacity</b>	30 l (7.9 US gal)
<b>Number of seats</b>	2
Standard equipment	
Riding Modes, Power Modes, Ducati Safety Pack (Cornering ABS, Ducati Traction Control DTC), Ducati Wheelie Control (DWC), Ducati Cornering Lights, Vehicle Hold Control (VHC), Evo Ducati Skyhook Suspension (DSS), Up/down Ducati Quick Shift (DQS), Cruise control, Hands-Free, Backlit handlebar switches, Ducati Multimedia System (DMS), Colour TFT 5" display, Full LED headlamp, Auto-off indicators, Ready for: Tyre Pressure Monitoring System (TPMS), Anti-theft system.	
Warranty	

24 months, Unlimited mileage	
Maintenance	
<b>Maintenance</b>	15,000 km (9,000 miles) / 12 months
<b>Valve clearance check</b>	30,000 km (18,000 miles)
Emissions and Consumption*	
<b>Standard</b>	Euro 4
<b>CO<sub>2</sub> Emissions</b>	130 g/km
<b>Consumption</b>	5.5 l/100 km



Equal to 18,000 miles

Indication of mileage at the first Desmo Service, or rather the first service during which valve clearance is checked and adjusted if necessary.

\* Only for countries where Euro 4 standard applies



# MULTISTRADA 1260 ENDURO

Bodywork: Ducati Red  
Frame: Charcoal Black



Bodywork: Sand  
Frame: Charcoal Black









# Accessories

Whether you are experiencing the excitement of a long-range journey, demonstrating that sports nature that characterises every Ducati, taking on a dirt road when the asphalt comes to an end or battling through the urban jungle as you navigate the city, the Multistrada 950 Enduro has an accessories package to suit every situation. Inspired by the four Riding Modes, four accessories packages have been developed. These can be combined, with each accentuating one of the bike's four souls: Touring, Enduro, Sport and Urban. Four solutions that add to the versatility of this all-rounder: choose the character of your Multistrada 1260 Enduro.



For more information about the accessories range, technical specifications and instructions, visit a Ducati Dealer or the Accessories section of the [ducati.com](https://www.ducati.com) site.







1 Aluminium top case



2 Complete exhaust assembly



3 Enduro windscreen







1 Protective mesh for water radiator



**A** 2 Lower chain guard



3 Rear brake disc guard

**A**



4 LED lights



5 Protective mesh for oil cooler

**A**





1 Handlebar bag



2 Stand support plate



3 Aluminium top case.



4 Side tank protectors in steel tubing



## Key to symbols



For racing use only - The product marked with this symbol can only be used on competition vehicles. Use outside a competition track of motorcycles equipped with this product is prohibited by law. Verify any further restrictions with the relevant race course. Motorcycles equipped with this accessory are prohibited from operating on public roads.



This accessory cannot be used/sold in Japan



Europe



This accessory is not approved for road circulation



This accessory is approved for road circulation in Europe.



This product is intended for vehicles used only in closed-course competition. Operation on public roads is prohibited by law.



Type-approved silencer according to Regulation (EU) No. 168/2013 of 15/01/2013



Anodized



Matt



Tinted



Clear



Red



Black



Silver



Phantom Gray



Star White Silk



Sand



ducati.com

Riding a motorcycle is the most exciting way to enjoy the road, and offering the utmost safety to the motorcyclist is Ducati's commitment. Ducati bikes are increasingly easy to handle, reliable and better equipped to guarantee maximum safety and enhance riding pleasure. Technical clothing is made with more and more advanced materials for adequate protection and increased visibility. The safety of motorcyclists is Ducati's commitment. For more information visit the safety section of the Ducati site ([www.ducati.com](http://www.ducati.com)).

**Warning:** The photos and technical information in this catalogue may refer to prototypes subject to modifications during production and are purely for illustration and reference purposes, and are therefore not binding on Ducati Motor Holding S.p.A. Sole Shareholder Company - Company subject to the direction and coordination of AUDI AG ("Ducati"). Ducati cannot be held responsible for any print and/or translation errors. This catalogue is transnational and therefore some products may not be available and/or their features may vary in accordance with local laws. Not all colours and versions are available in each country. Ducati reserves the right to make changes and improvements to any product without obligation of prior notice or to make such changes to products already sold. Further characteristics of the products are contained in the pertinent owner's manuals. The products represented are not definitive versions and are therefore subject to significant changes at Ducati's discretion without prior notice. The photographs published in this catalogue show only professional riders under controlled street conditions. Do not attempt to imitate such riding behaviour as it could be dangerous for you or other people on the road. This catalogue, including but not limited to the trademarks, logos, texts, images, graphics and table of contents herein, constitute Ducati intellectual property, or in any event Ducati has the right to reproduce it; any reproduction, modification or other whole or partial use of the catalogue or its contents, including publication on the Internet without the prior written consent of Ducati, is prohibited.

Actual fuel consumption may vary based on many factors, including but not limited to riding style, maintenance performed, weather conditions, surface characteristics, tyre pressure, load, weight of the rider and the passenger, accessories.

Ducati indicates the dry weight of the motorcycle excluding battery, lubricants and coolants for liquid-cooled models. The weights in running order are considered with all operating fluids, standard equipment and the fuel tank filled to 90% of its useful capacity (UE regulation no. 168/2013). October 2019.





**WDW2020**  
**WORLD DUCATI WEEK**  
17<sup>th</sup> - 19<sup>th</sup> July / Misano, Italy  
wdw.ducati.com

Developed with



Technical partner

